

F

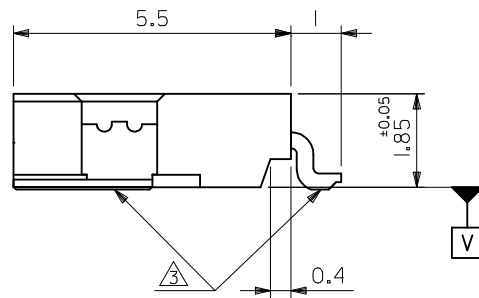
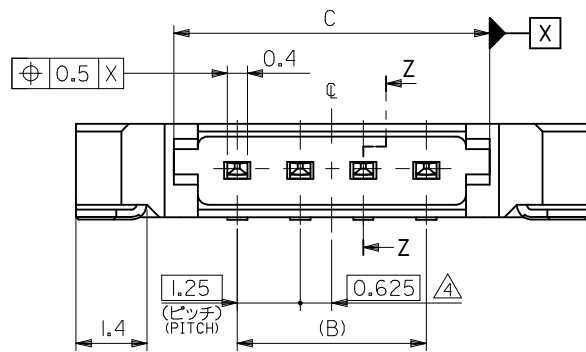
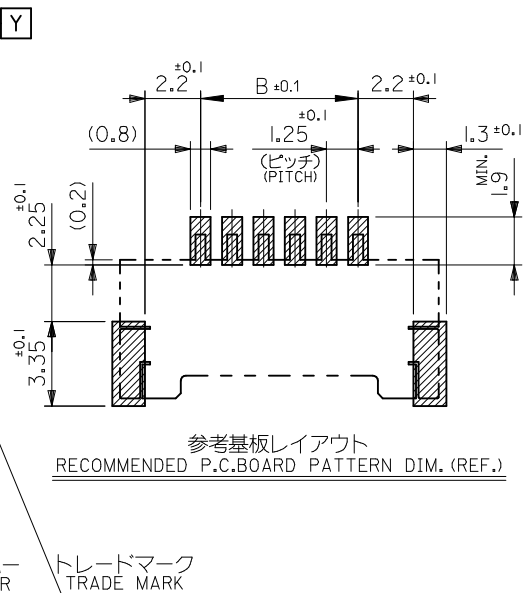
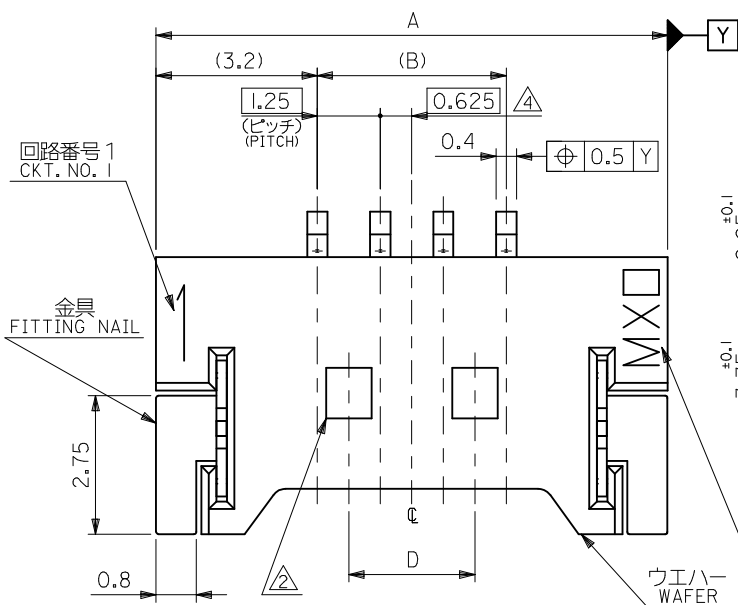
E

D

C

B

A

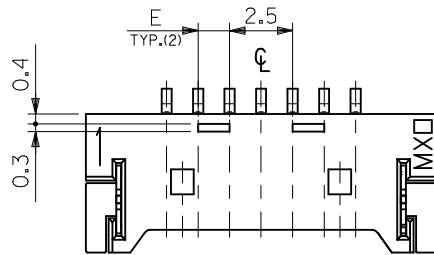


注記 NOTES

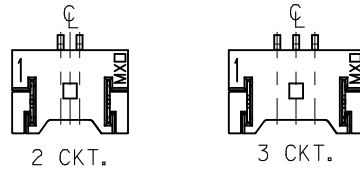
1. 嵌合相手：51146 シリーズ  
MATES WITH : 51146 SERIES
2. ロック窓は2、3極品は1箇所、4極品以上は2箇所とする。  
LOCKING WINDOW : ONE PLACE FOR 2 AND 3 CIRCUIT PRODUCTS AND TWO PLACES FOR MORE THAN 3 CIRCUIT PRODUCTS.
3. 基準面 [V] からのソルダーテールと金具の半田付け面のズレ量は、上方向きに 0.05MAX. 下方向き 0.15MAX. とし、20 極以下の相互のバラツキ量は 0.1MAX. とする。  
MISALIGNMENT OF SOLDER TAIL AND FITTING NAIL FROM [V] : UPPER DIRECTION 0.05MAX. : LOWER DIRECTION 0.15MAX. : OFFSET BETWEEN UPPER AND LOWER 0.1MAX. (UNDER 20 CKTS.)
4. 偶数極の製品に適用。  
APPLY EVEN CIRCUIT PRODUCTS.
5. 材質 MATERIAL  
ウエハー WAFER : PPS, UL94V-0  
ピン: リン青銅 PIN: PHOSPHOR BRONZE  
コンタクト部: 金メッキ 0.2 マイクロメートル以上  
CONTACT AREA: GOLD 0.2 MICROMETER MINIMUM  
テール部: 錫メッキ 3.0 マイクロメートル以上  
TAIL AREA: TIN 3.0 MICROMETER MINIMUM  
下地メッキ: ニッケルメッキ 1.0 マイクロメートル以上  
UNDER PLATING: NICKEL 1.0 MICROMETER MINIMUM  
金具: リン青銅 FITTING NAIL: PHOSPHOR BRONZE  
錫メッキ 3.0 マイクロメートル以上  
TIN 3.0 MICROMETER MINIMUM  
下地メッキ: ニッケルメッキ 1.0 マイクロメートル以上  
UNDER PLATING: NICKEL 1.0 MICROMETER MINIMUM
6. 本製品は 53780-\*\*-\*\*10/-\*\*-\*\*18 の鉛フリー品である。  
THIS PRODUCT IS LEAD FREE OF 53780-\*\*-\*\*10/-\*\*-\*\*18.

16.25	22.5	38.77	36.25	42.65	53780-3070	53780-3019	30
8.75	22.5	26.27	23.75	30.15	▲ -2070	▲ -2019	20
7.5	20	23.77	21.25	27.65	-1870	-1819	18
6.25	16.25	20.02	17.5	23.9	-1570	-1519	15
5	15	18.77	16.25	22.65	-1470	-1419	14
3.75	12.5	16.27	13.75	20.15	-1270	-1219	12
2.5	8.75	12.52	10	16.4	-0970	-0919	9
1.25	7.5	11.27	8.75	15.15	-0870	-0819	8
1.25	6.25	10.02	7.5	13.9	-0770	-0719	7
—	5	8.77	6.25	12.65	-0670	-0619	6
—	3.75	7.52	5	11.4	-0570	-0519	5
—	2.5	6.27	3.75	10.15	-0470	-0419	4
—	—	5.02	2.5	8.9	▼ -0370	▼ -0319	3
—	—	3.77	1.25	7.65			2
E	D	C	B	A	53780-0270	53780-0219	2

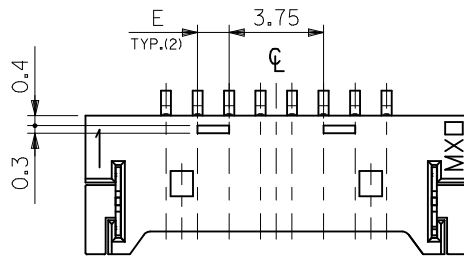
REVISED EC NO: J2009-1158 DRWRTSURIJOKA 2008/11/07 CHKD:THARUYAMA 2008/11/07 APPR:NIKIITA 2008/11/07	GENERAL TOLERANCES (UNLESS SPECIFIED)		DIMENSION STYLE	SCALE	DESIGN UNITS	MODEL NO. [53780-**-19 EMBOSSED TAPE MATERIAL NO. CKT. ORDER No. オダー番号 製品番号 極数
			MM ONLY	10:1	METRIC	
	10 UNDER	± 0.2	DRAWN BY	DATE	TITLE	
	10 OVER 30 UNDER	± 0.25	T. UENO	'04/04/15	1.25 W/B CONN WAFER ASSY FOR SMT -LEAD FREE-	
30 OVER	± 0.3	CHECKED BY	DATE			
		M. SASAO	'04/04/15			
		APPROVED BY	DATE			
		M. SASAO	'04/04/15			
		ANGULAR	± 3 °			
		DRAFT WHERE APPLICABLE MUST REMAIN WITHIN DIMENSIONS				
		MATERIAL NO.	DOCUMENT NO.		SHEET NO.	
		SEE CHART	SD-53780-003		1 OF 2	
		SIZE	THIS DRAWING CONTAINS INFORMATION THAT IS PROPRIETARY TO MOLEX INCORPORATED AND SHOULD NOT BE USED WITHOUT WRITTEN PERMISSION			
		A3				



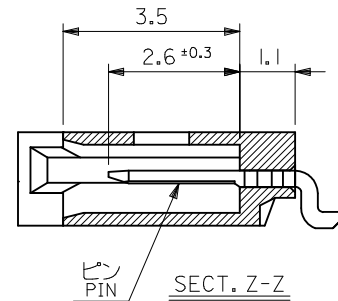
7~19極の奇数極に適用  
 APPLY FOR ODD CIRCUITS OF 7~19



ロック形状図  
 LOCK CONFIGURATION



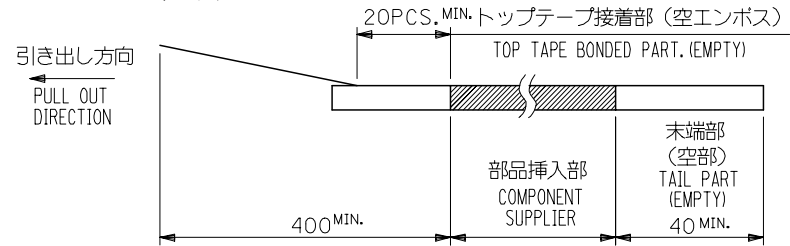
8~30 極の偶数極に適用  
 APPLY FOR EVEN CIRCUITS OF 8~30



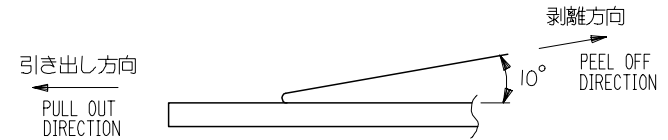
REVISED EC NO: J2009-1158 DRWRTS:RUOKA 2008/11/07 CHKD:THARUYAMA 2008/11/07 APPR:NUKITA 2008/11/07 D	GENERAL TOLERANCES (UNLESS SPECIFIED)		DIMENSION STYLE MM ONLY		SCALE 10:1	DESIGN UNITS METRIC	MODEL NO. 53780-***19	THIRD ANGLE PROJECTION
	10 UNDER	±0.2	DRAWN BY T. UENO	DATE '04/04/15	TITLE 1.25 W/B CONN WAFER ASSY FOR SMT -LEAD FREE-			
	10 OVER 30 UNDER	±0.25	CHECKED BY M. SASAO	DATE '04/04/15	MOLEX INCORPORATED			
	30 OVER	±0.3	APPROVED BY M. SASAO	DATE '04/04/15	DOCUMENT NO. SD-53780-003		SHEET NO. 2 OF 2	
	ANGULAR ±3 °		MATERIAL NO. SEE CHART		THIS DRAWING CONTAINS INFORMATION THAT IS PROPRIETARY TO MOLEX INCORPORATED AND SHOULD NOT BE USED WITHOUT WRITTEN PERMISSION			
DRAFT WHERE APPLICABLE MUST REMAIN WITHIN DIMENSIONS								

NOTES

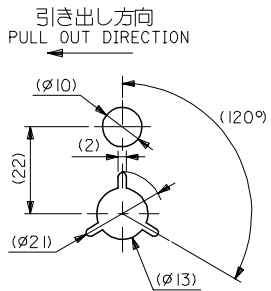
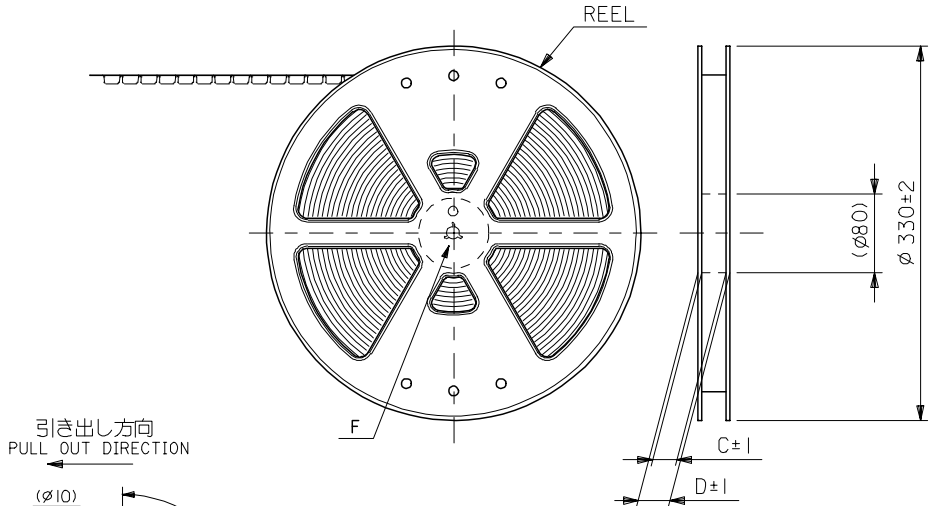
1. 梱包数量：1500個/リール  
NUMBER OF CONNECTORS : 1500PCS/REEL
2. リードテープ長さ LEAD TAPE LENGTH



3. トップテープの剥離強度： 0.1N ~ 1.3N (10gf ~ 130gf)  
(剥離方向は下図参照)  
尚、本規格値は出荷時に適用。(但し、輸送時に剥離が発生しないこと。)  
PEELING OFF FORCE OF TOP TAPE : 0.1N ~ 1.3N (10gf ~ 130gf)  
(PEELING OFF DIRECTION AS SHOWN IN FOLLOWING FIG.)  
THIS REQUIREMENT SHOULD BE APPLIED AT SHIPMENT.  
PEEL OFF SHOULD NOT BE ALLOWED , DURING TRANSPORTATION.



4. 材料 (MATERIAL)  
キャリアテープ (CARRIER TAPE) : ポリプロピレン (POLYPROPYLENE)  
トップテープ (TOP TAPE) : PET , PE , PEF  
リール (REEL) : ポリスチレン (PS) <リサイクル材を含む>  
POLYSTYRENE (PS) <RECYCLE MATERIAL CONTAINED>
5. 本製品は 53780- \*\*90/- \*\*80 の鉛フリー品である。  
THIS PRODUCT IS LEAD FREE OF 53780- \*\*90/- \*\*80.



DETAIL F

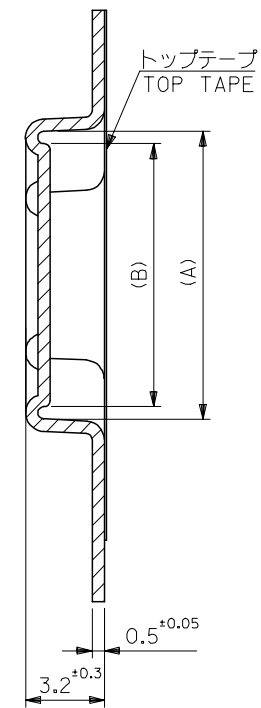
MODEL NO. 53780- \*\*70

REVISED EC NO: J2006-1562 DRW: MNABE 2005/11/16 CHK: KYODOA 2005/11/17 APPR: NUKITA 2005/11/21	GENERAL TOLERANCES (UNLESS SPECIFIED)		DIMENSION STYLE MM ONLY		SCALE ---	DESIGN UNITS METRIC	THIRD ANGLE PROJECTION	
	10 UNDER	± 0.2	DRAWN BY T. UENO	DATE '04/04/15	TITLE 1.25 W/B WAFER ASSY EMBOSSED TAPE PACKAGE -LEAD FREE-			
	10 OVER 30 UNDER	± 0.25	CHECKED BY M. SASAO	DATE '04/04/15				
	30 OVER	± 0.3	APPROVED BY M. SASAO	DATE '04/04/15	MOLEX INCORPORATED			
	ANGULAR	± 3 °	MATERIAL NO.	DOCUMENT NO. SD-53780-004				
DRAFT WHERE APPLICABLE MUST REMAIN WITHIN DIMENSIONS		SIZE A3		THIS DRAWING CONTAINS INFORMATION THAT IS PROPRIETARY TO MOLEX INCORPORATED AND SHOULD NOT BE USED WITHOUT WRITTEN PERMISSION				

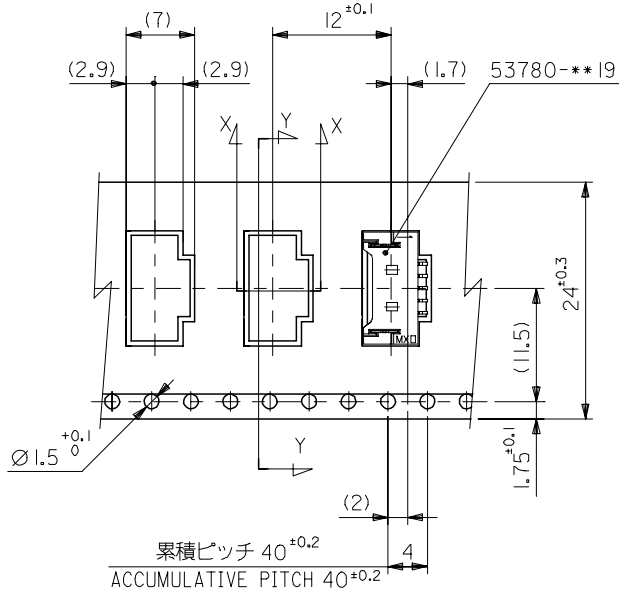
10 9 8 7 6 5 4 3 2 1

F  
E  
D  
C  
B  
A

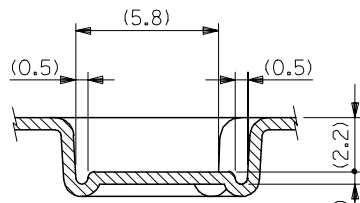
F  
E  
D  
C  
B  
A



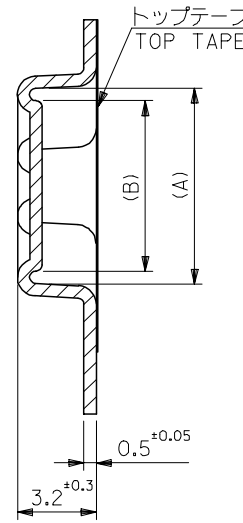
SECT:Y-Y  
(SCALE 5:1)



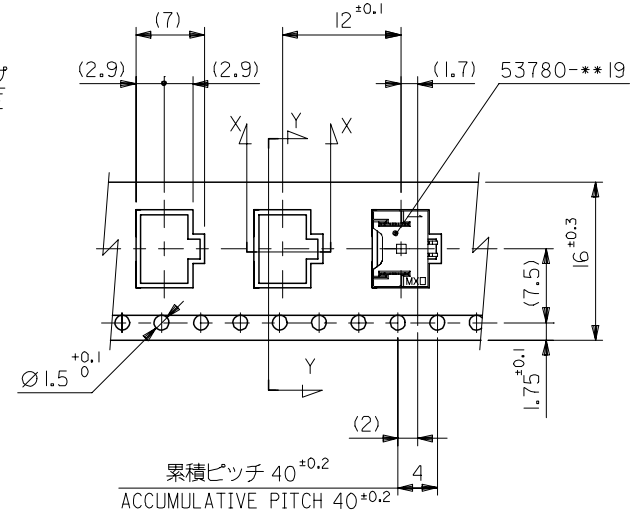
引き出し方向  
PULL OUT DIRECTION



SECT:X-X  
(SCALE 5:1)



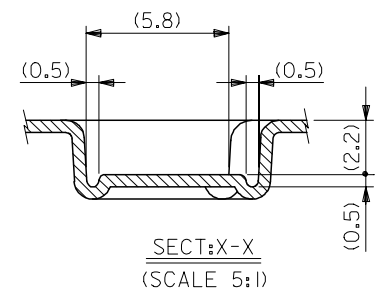
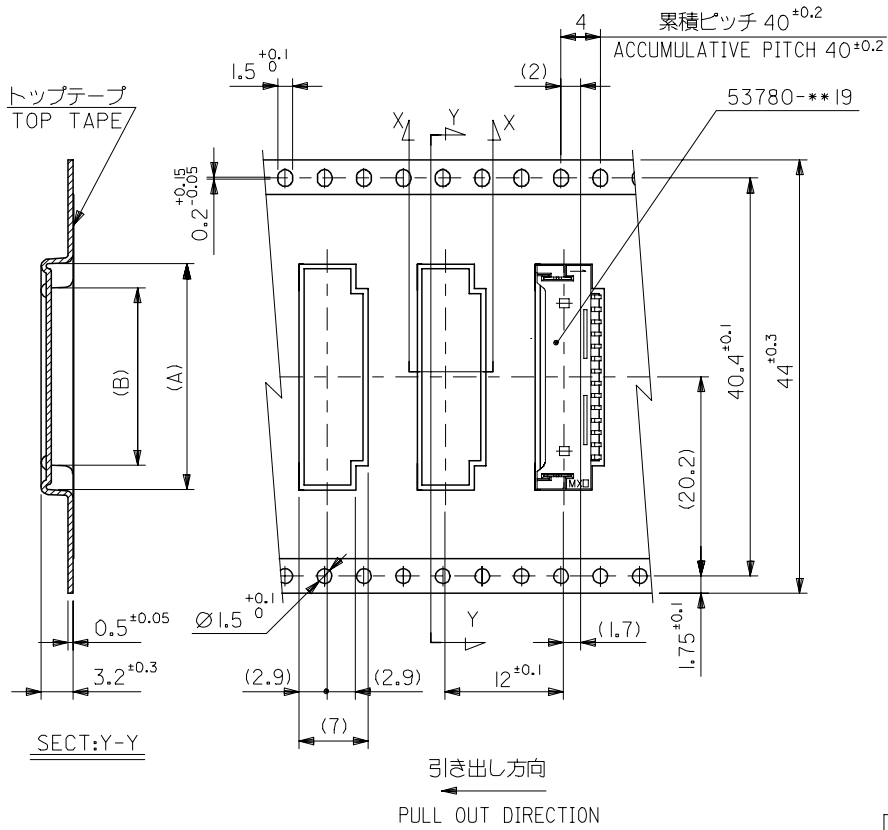
SECT:Y-Y  
(SCALE 5:1)



引き出し方向  
PULL OUT DIRECTION

24	29.4	25.4	11.75	16.7	53780-0970	9			
			10.5	15.45	53780-0870	8			
			9.25	14.2	53780-0770	7			
			8	12.95	53780-0670	6			
			6.75	11.7	53780-0570	5			
16	21.4	17.4	5.5	10.45	53780-0470	4			
			4.25	9.2	53780-0370	3			
			3	7.95	53780-0270	2			
キャリアテープ幅 CARRIER TAPE WIDTH			D	C	(B)	(A)	MATERIAL NO.	極数 CKT.	
			MODEL NO.		53780-***70		DESIGN UNITS METRIC		THIRD ANGLE PROJECTION

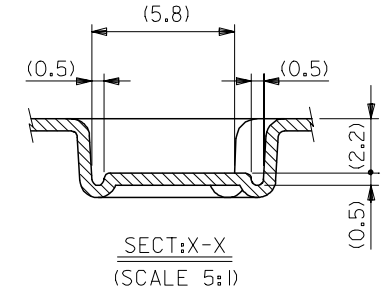
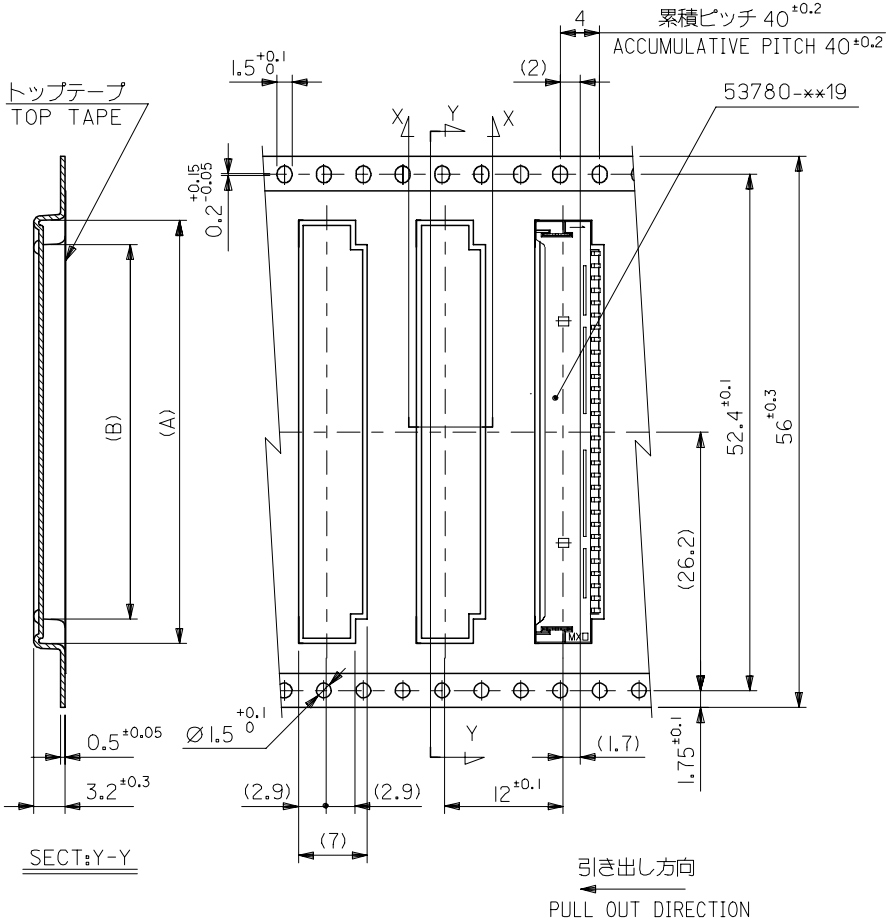
REVISED EC NO: J2006-1562 DRWN: NABEI 2005/11/16 CHKD: TOYODA 2005/11/17 APPR: NUKITA 2005/11/21	GENERAL TOLERANCES (UNLESS SPECIFIED)		DIMENSION STYLE MM ONLY		SCALE 2:1	DESIGN UNITS METRIC		THIRD ANGLE PROJECTION	
	10 UNDER	± 0.2	DRAWN BY T. UENO	DATE '04/04/15	TITLE 1.25 W/B WAFER ASSY EMBOSSED TAPE PACKAGE -LEAD FREE-				
	10 OVER 30 UNDER	± 0.25	CHECKED BY M. SASAO	DATE '04/04/15	MOLEX INCORPORATED				
	30 OVER	± 0.3	APPROVED BY M. SASAO	DATE '04/04/15	DOCUMENT NO. SD-53780-004				
	ANGULAR	± 3 °	MATERIAL NO. SEE CHART		SHEET NO. 2 OF 4		THIS DRAWING CONTAINS INFORMATION THAT IS PROPRIETARY TO MOLEX INCORPORATED AND SHOULD NOT BE USED WITHOUT WRITTEN PERMISSION		
DRAFT WHERE APPLICABLE MUST REMAIN WITHIN DIMENSIONS		SIZE A3							



44	49.4	45.4	25.5	30.45	53780-2070	20
			25.5	27.95	53780-1870	18
			19.25	24.2	53780-1570	15
			18	22.95	53780-1470	14
			15.5	20.45	53780-1270	12
キャリアテープ幅 CARRIER TAPE WIDTH			D	C	(A)	MODEL NO. DESIGN UNITS METRIC
					MATERIAL NO.	極数 CKT.

REVISED EC NO: J2006-1562 DRWN: NABEI 2005/11/16 CHKDK: TOYODA 2005/11/17 APPR: NUKITA 2005/11/21	DESCRIPTION REV	GENERAL TOLERANCES (UNLESS SPECIFIED)		DIMENSION STYLE MM ONLY		SCALE ---	THIRD ANGLE PROJECTION
		10 UNDER	$\pm 0.2$	DRAWN BY T. UENO	DATE '04/04/15	TITLE 1.25 W/B WAFER ASSY EMBOSSD TAPE PACKAGE -LEAD FREE-	
		10 OVER 30 UNDER	$\pm 0.25$	CHECKED BY M. SASAO	DATE '04/04/15	MOLEX INCORPORATED	
		30 OVER	$\pm 0.3$	APPROVED BY M. SASAO	DATE '04/04/15	SHEET NO. 3 OF 4	
		ANGULAR	$\pm 3^\circ$	MATERIAL NO. SEE CHART		DOCUMENT NO. SD-53780-004	
DRAFT WHERE APPLICABLE MUST REMAIN WITHIN DIMENSIONS		SIZE A3		THIS DRAWING CONTAINS INFORMATION THAT IS PROPRIETARY TO MOLEX INCORPORATED AND SHOULD NOT BE USED WITHOUT WRITTEN PERMISSION			

10 9 8 7 6 5 4 3 2 1



F  
E  
D  
C  
B  
A

F  
E  
D  
C  
B  
A

REVISED	EC NO: J2006-1562	DRWN: NABEI	2005/11/16	CHKD: KTOYODA	2005/11/17	APPR: NUKITA	2005/11/21	DESCRIPTION	GENERAL TOLERANCES (UNLESS SPECIFIED)	56	57.5	38.0	42.95	53780-3070	30
A								10 UNDER ±0.2	DIMENSION STYLE	CARRIER TAPE WIDTH	C	(B)	(A)	MATERIAL NO.	極致
								10 OVER 30 UNDER ±0.25	MM ONLY	SCALE	---	DESIGN UNITS	METRIC	THIRD ANGLE PROJECTION	
								30 OVER ±0.3	DRAWN BY	T. UENO	DATE	'04/04/15	TITLE		
								ANGULAR ±3 °	CHECKED BY	M. SASAO	DATE	'04/04/15	1.25 W/B WAFER ASSY EMBOSSSED TAPE PACKAGE -LEAD FREE-		
								DRAFT WHERE APPLICABLE MUST REMAIN WITHIN DIMENSIONS	APPROVED BY	M. SASAO	DATE	'04/04/15	MOLEX INCORPORATED		
									MATERIAL NO.	SEE CHART			DOCUMENT NO.	SD-53780-004	SHEET NO.
									SIZE	A3			THIS DRAWING CONTAINS INFORMATION THAT IS PROPRIETARY TO MOLEX INCORPORATED AND SHOULD NOT BE USED WITHOUT WRITTEN PERMISSION		

9 8 7 6 5 4 3 2